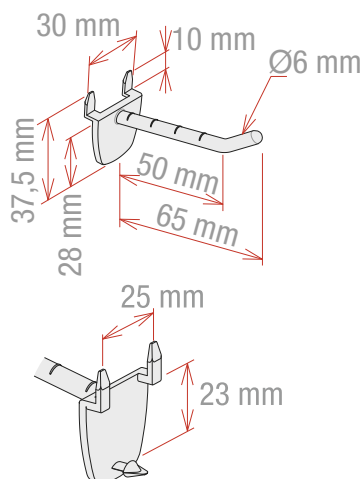
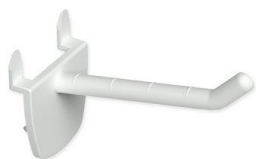


Data sheet

PLASTIC SINGLE PRONG QUICK STAB DISPLAY HOOK - WHITE L.50 MM



Display hook with 3 back rear tips that allow automatic insertion without previous die cut.

- Fast stab prong hook
- In sturdy glass fibre reinforced plastic
- Center to center: 25 mm
- Standard colours: black and white



NB: Other colours on request



Recyclable product

Code	Useful length	Colour
313050WH	50 mm	White

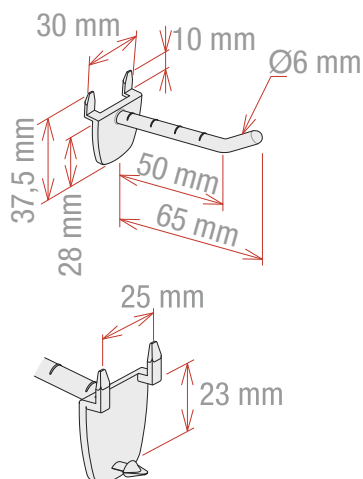
Synco S.r.l.

21046 GURONE DI MALNATE (VA) - Via G. Pastore, 30
Tel. 0332/420.711 (10 linee ric. Autom.) Fax 0332/425.247
e-mail: pop@syncospa.com

Codice Fiscale N. 03045040379
Partita IVA N. 01207730126
C.C.I.A.A. Varese N. 163413 R.E.A.
Reg.Imp. Di Varese N. 03045040379
Numero Mecc. VA010424

Data sheet

PLASTIC SINGLE PRONG QUICK STAB DISPLAY HOOK - BLACK L.50 MM



Display hook with 3 back rear tips that allow automatic insertion without previous die cut.

- Fast stab prong hook
- In sturdy glass fibre reinforced plastic
- Center to center: 25 mm
- Standard colours: black and white



NB: Other colours on request



Recyclable product

Code	Useful length	Colour
313050BK	50 mm	Black

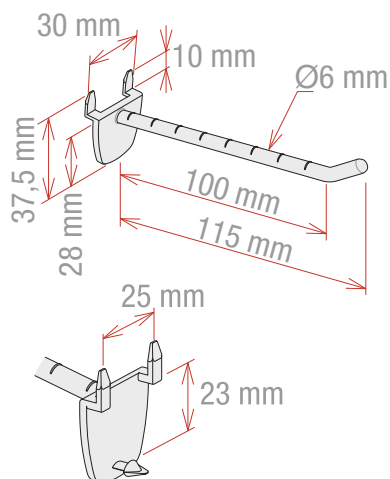
Synco S.r.l.

21046 GURONE DI MALNATE (VA) - Via G. Pastore, 30
Tel. 0332/420.711 (10 linee ric. Autom.) Fax 0332/425.247
e-mail: pop@syncospa.com

Codice Fiscale N. 03045040379
Partita IVA N. 01207730126
C.C.I.A.A. Varese N. 163413 R.E.A.
Reg.Imp. Di Varese N. 03045040379
Numero Mecc. VA010424

Data sheet

PLASTIC SINGLE PRONG QUICK STAB DISPLAY HOOK - WHITE L.100 MM



Display hook with 3 back rear tips that allow automatic insertion without previous die cut.

- Fast stab prong hook
- In sturdy glass fibre reinforced plastic
- Center to center: 25 mm
- Standard colours: black and white



NB: Other colours on request



Recyclable product

Code	Useful length	Colour
313100WH	100 mm	White

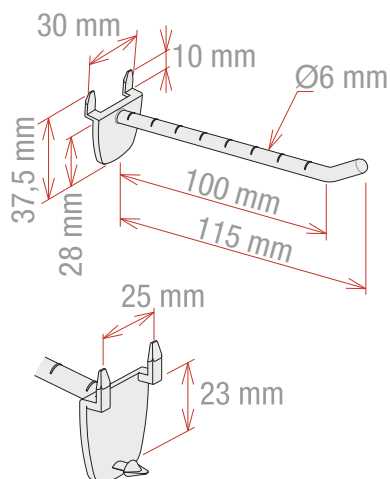
Synco S.r.l.

21046 GURONE DI MALNATE (VA) - Via G. Pastore, 30
Tel. 0332/420.711 (10 linee ric. Autom.) Fax 0332/425.247
e-mail: pop@syncospa.com

Codice Fiscale N. 03045040379
Partita IVA N. 01207730126
C.C.I.A.A. Varese N. 163413 R.E.A.
Reg.Imp. Di Varese N. 03045040379
Numero Mecc. VA010424

Data sheet

PLASTIC SINGLE PRONG QUICK STAB DISPLAY HOOK - BLACK L.100 MM



Display hook with 3 back rear tips that allow automatic insertion without previous die cut.

- Fast stab prong hook
- In sturdy glass fibre reinforced plastic
- Center to center: 25 mm
- Standard colours: black and white



NB: Other colours on request



Recyclable product

Code	Useful length	Colour
313100BK	100 mm	Black

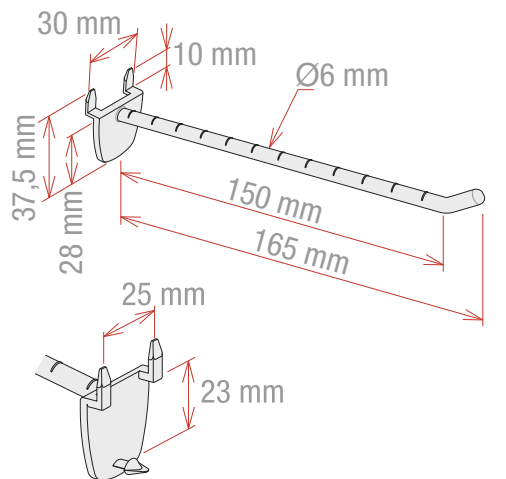
Synco S.r.l.

21046 GURONE DI MALNATE (VA) - Via G. Pastore, 30
Tel. 0332/420.711 (10 linee ric. Autom.) Fax 0332/425.247
e-mail: pop@syncospa.com

Codice Fiscale N. 03045040379
Partita IVA N. 01207730126
C.C.I.A.A. Varese N. 163413 R.E.A.
Reg.Imp. Di Varese N. 03045040379
Numero Mecc. VA010424

Data sheet

PLASTIC SINGLE PRONG QUICK STAB DISPLAY HOOK - WHITE L.150 MM



Display hook with 3 back rear tips that allow automatic insertion without previous die cut.

- Fast stab prong hook
- In sturdy glass fibre reinforced plastic
- Center to center: 25 mm
- Standard colours: black and white



NB: Other colours on request



Recyclable product

Code	Useful length	Colour
313150WH	150 mm	White

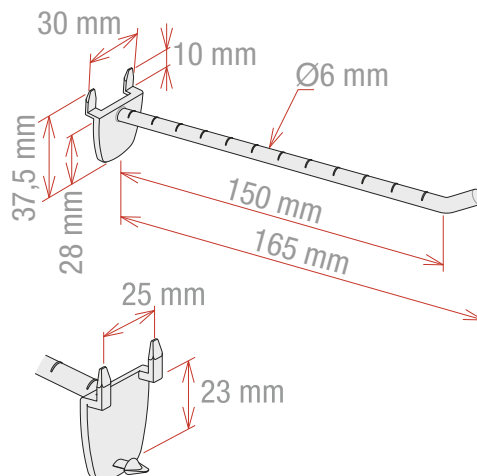
Synco S.r.l.

21046 GURONE DI MALNATE (VA) - Via G. Pastore, 30
Tel. 0332/420.711 (10 linee ric. Autom.) Fax 0332/425.247
e-mail: pop@syncospa.com

Codice Fiscale N. 03045040379
Partita IVA N. 01207730126
C.C.I.A.A. Varese N. 163413 R.E.A.
Reg.Imp. Di Varese N. 03045040379
Numero Mecc. VA010424

Data sheet

PLASTIC SINGLE PRONG QUICK STAB DISPLAY HOOK - BLACK L.150 MM



Display hook with 3 back rear tips that allow automatic insertion without previous die cut.

- Fast stab prong hook
- In sturdy glass fibre reinforced plastic
- Center to center: 25 mm
- Standard colours: black and white



NB: Other colours on request



Recyclable product

Code	Useful length	Colour
313150K	150 mm	Black

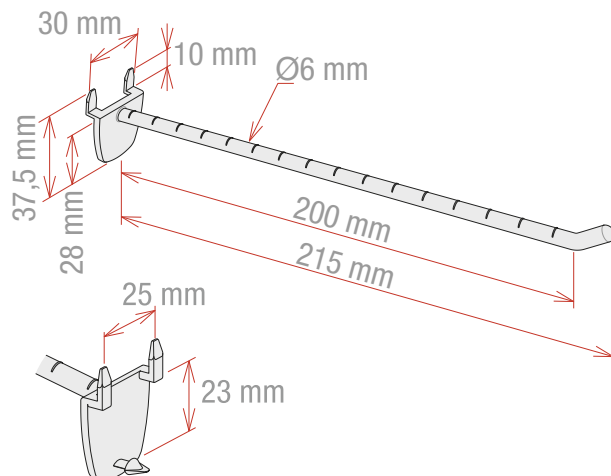
Synco S.r.l.

21046 GURONE DI MALNATE (VA) - Via G. Pastore, 30
Tel. 0332/420.711 (10 linee ric. Autom.) Fax 0332/425.247
e-mail: pop@syncospa.com

Codice Fiscale N. 03045040379
Partita IVA N. 01207730126
C.C.I.A.A. Varese N. 163413 R.E.A.
Reg.Imp. Di Varese N. 03045040379
Numero Mecc. VA010424

Data sheet

PLASTIC SINGLE PRONG QUICK STAB DISPLAY HOOK - WHITE L.200 MM



Display hook with 3 back rear tips that allow automatic insertion without previous die cut.

- Fast stab prong hook
- In sturdy glass fibre reinforced plastic
- Center to center: 25 mm
- Standard colours: black and white



NB: Other colours on request



Recyclable product

Code	Useful length	Colour
313200WH	200 mm	White

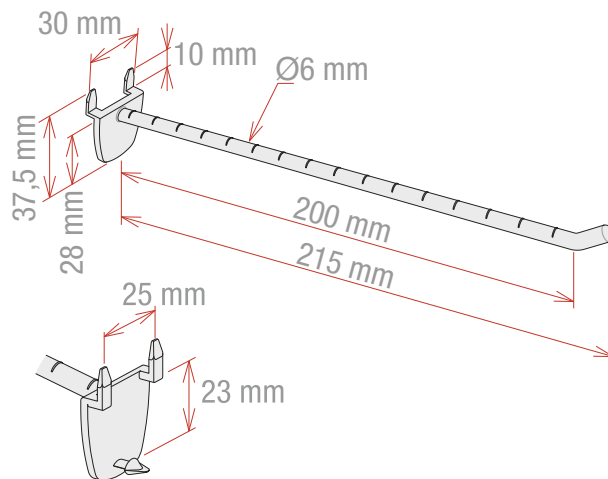
Synco S.r.l.

21046 GURONE DI MALNATE (VA) - Via G. Pastore, 30
Tel. 0332/420.711 (10 linee ric. Autom.) Fax 0332/425.247
e-mail: pop@syncospa.com

Codice Fiscale N. 03045040379
Partita IVA N. 01207730126
C.C.I.A.A. Varese N. 163413 R.E.A.
Reg.Imp. Di Varese N. 03045040379
Numero Mecc. VA010424

Data sheet

PLASTIC SINGLE PRONG QUICK STAB DISPLAY HOOK - BLACK L.200 MM



Display hook with 3 back rear tips that allow automatic insertion without previous die cut.

- Fast stab prong hook
- In sturdy glass fibre reinforced plastic
- Center to center: 25 mm
- Standard colours: black and white



NB: Other colours on request



Recyclable product

Code	Useful length	Colour
313200BK	200 mm	Black

Synco S.r.l.

21046 GURONE DI MALNATE (VA) - Via G. Pastore, 30
Tel. 0332/420.711 (10 linee ric. Autom.) Fax 0332/425.247
e-mail: pop@syncospa.com

Codice Fiscale N. 03045040379
Partita IVA N. 01207730126
C.C.I.A.A. Varese N. 163413 R.E.A.
Reg.Imp. Di Varese N. 03045040379
Numero Mecc. VA010424